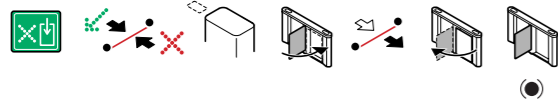


Swinglane

Control panel

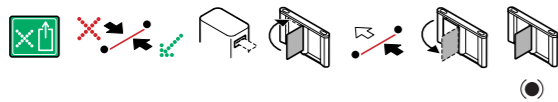
1 Block in



4 Pulse out



2 Blocked out



5 Open



3 Pulse in



6 Alarm



Maintenance

Caution! Do not use water near the drive units and control box.
Warning! Switch off the power supply during maintenance and/or other work on the Swinglane

Weekly: Clean the stainless steel and glass surfaces with a damp cloth.
Monthly: Clean the stainless steel and glass surfaces with a damp cloth and soft soap.
Annually: The Swinglane needs a major maintenance check once a year. Always have this carried out by Boon Edam or an approved dealer. The same applies to repairs.

Dealer

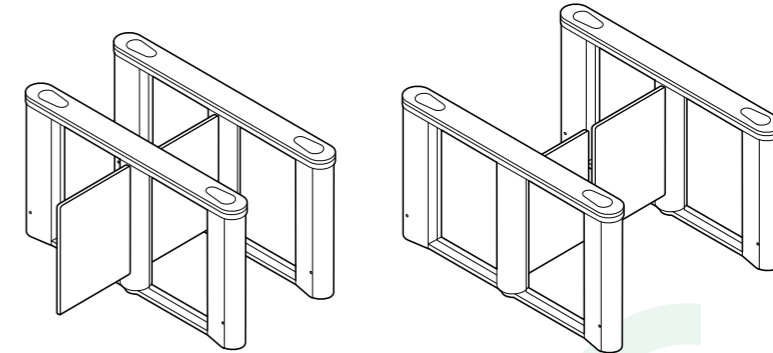
For further information, please consult the operating manual.

Royal Boon Edam Group Holding B.V. P.O. Box 40, 1135 ZG Edam Holland

Instruction card

Swinglane

multi-passage layout



Safety, security and operational instructions
 Control panel
 Maintenance

Key to symbols

	Secured side / Non secured side		Person has passed detection area
	Door wing in closed position and locked		No access
	Door wing in closed position unlocked		Authorised access
	Door wing opens / closes		Door wing will lock electrically
	Door wing can be opened manually / Fail-safe		Door wing will unlock electrically
	No power supply		Action after 8 seconds
	Power supply		Fire alarm active
	Authorisation (by push button or card reader)		Fire alarm not active
			Alarm



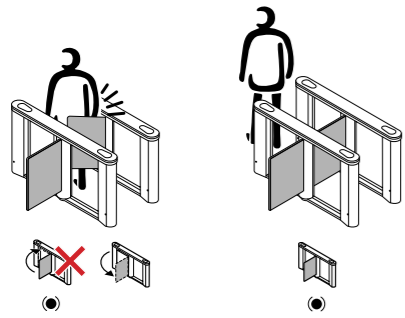
Test the emergency and safety devices and the general working of the Swinglane.
 Caution with children playing near the Swinglane.

Version: 04 / 2005
 Issue: SW.IK-001-GBR

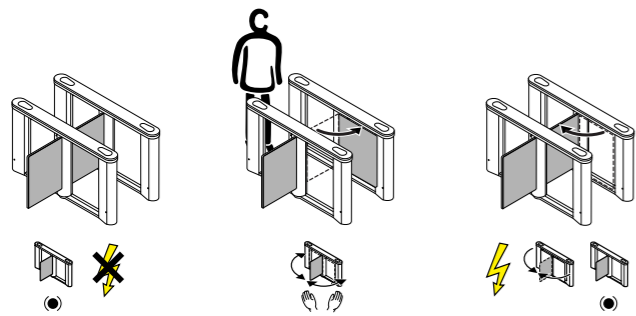
Safety, security en operational instructions

A Safety and security devices

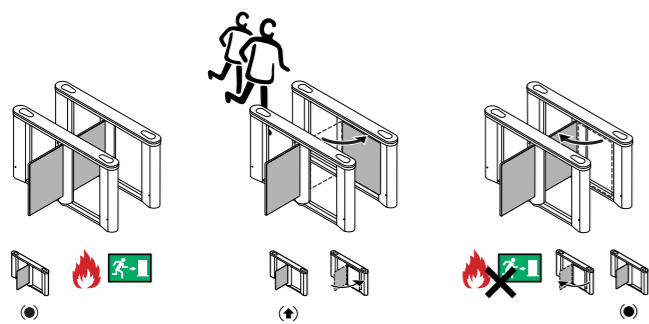
1 Anti-clamp system



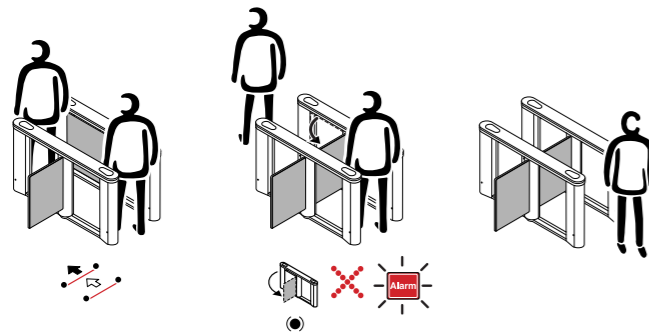
2 Fail-safe



3 Fire alarm system (optional)

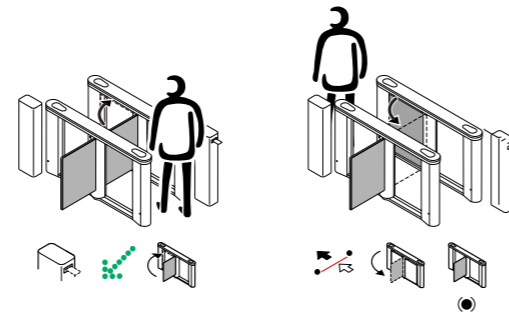


4 Tailgating

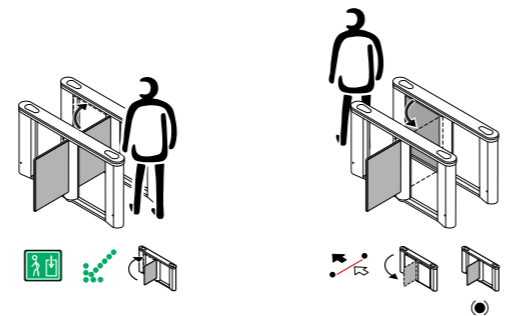


B Authorisation systems (optional)

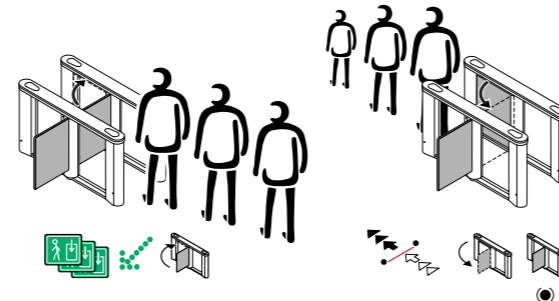
1 Card reader in top plate (or pedestal)



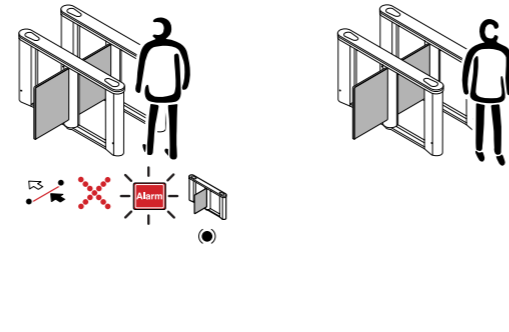
2 Control panel (external)



3 Maximum of three pulses are kept in memory per direction (8 sec. per authorisation)



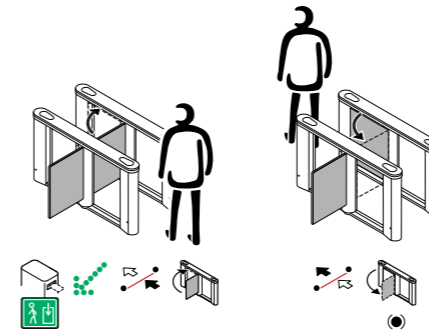
4 Unauthorised person enters Swinglane



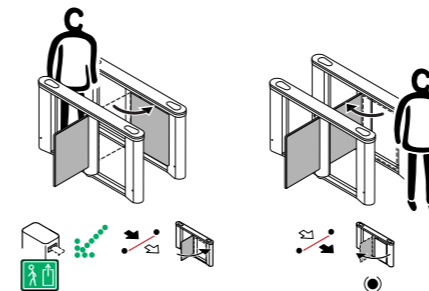
C Working principles

1 Normally closed working mode (bi-directional security barrier)

- Ingoing

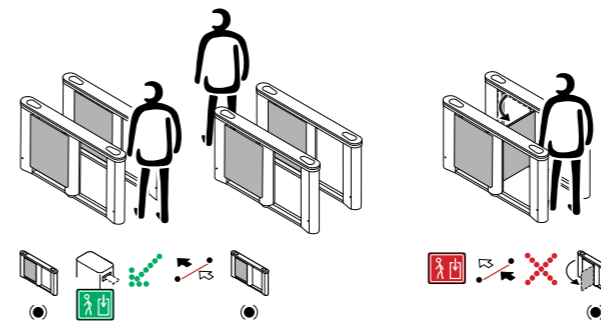


- Outgoing

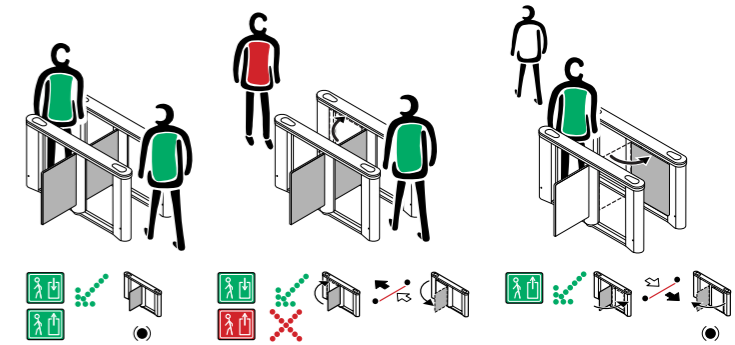


2 Normally open working mode (single directional barrier)

Note: this mode is not possible for disabled/double wing version.



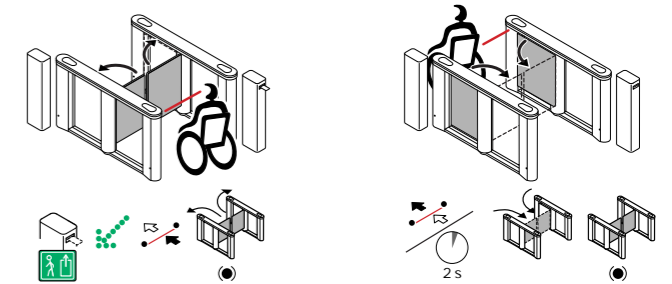
3 Two authorised persons from opposite direction enter Swinglane



4 Normally closed working mode for disabled/double wing version (optional).

Note: authorisation by a special card reader or control panel

- Ingoing



- Outgoing

