

# Metaflex sliding door



## Assembly Kit

Metaflex is the ideal quality supplier of hermetic sliding doors. Original in ideas. Traditionally the first to come with innovations and smart customer made applications where doortechnology is concerned. Metaflex has an international reputation in the field of highly qualitative and very reliable hermetic door range for the food-, cleanroom-, and medical sector. Metaflex has been active in the door business for more than 25 years and that expertise we would like to use for you.



Metaflex sliding doors



Impression pre-assembled components.

## General Information

Metaflex launches a comprehensive 'plug-and-play' sliding door assembly kit programme for, chiller- and freezer applications in the food processing industry.

- Easy to install
- Superb quality
- Extremely short assembly and installation time
- Unique door principle
- Low maintenance costs
- Hermetic door seal principle

- Available with electrical micro processor controlled drive for silent and quick acting operation

**Series MAK 250 Metaflex Assembly Kit**  
'Light/Medium' door kit for door blade weights up to 250 kgs.

**Series MAK 400 Metaflex Assembly Kit**  
'Heavy duty' door kit for door blade weights up to 400 kgs.



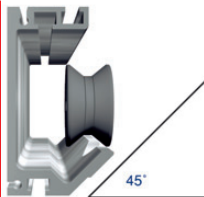
Designed and manufactured under the licence of Markus Deuren B.V.



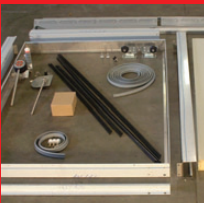
The hermetic seal of the 250 is based on the combination of an aluminium track construction and synthetic wheels.



The three-dimensional closure system at an angle of 45° guarantees optimum sealing and reliability.



Impression pre-assembled components.



## General information

The standard door kit comes as a pre-assembled kit, including all necessary 'fit to size' components, with exception of the insulated doorblade core.

To minimise transport volume and costs you can freely use locally available sandwich panels. The door kits suit a wide range of panel thicknesses:

80, 100, 120 mm/3, 4, 5 inch. (Other thicknesses upon request). Metaflex provides all required details for installation.

## Easy assembly and installation

The door kit consists of standard industrial chiller- and freezer door components. Prefabricated parts for track, door blade surrounding and doorjamb guarantee a short assembly- and installation time. Wide range of door jamb options available for different types of wall constructions. Detailed assembly and installation instructions, and drawings, accompanied by step by step photo reference.

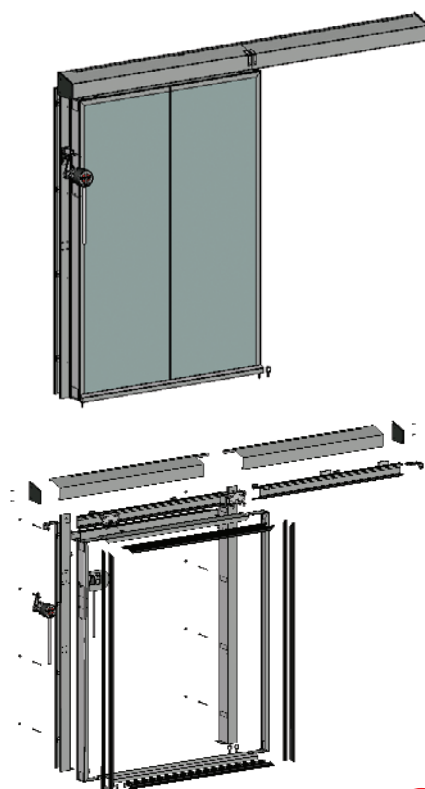
## Outstanding quality of the door kit

- First class materials in non-corrosive execution.
- Durable end product with long lifetime.
- Low maintenance costs in operation.
- Repair and replacement parts easily available.
- End products meets international hygienic standards for food preparation area's (EC/USDA).



## Series MAK 250 Sliding door Assembly Kit

- Aluminium alloy medium/light track suitable to carry doorblades up to 250 kgs.
- Ideally suited to chiller and freezer rooms in food processing area's, or for common access to temperature controlled processing area's.
- Door jamb, doorblade surrounding and other metal parts in stainless steel execution.
- Doorblade surrounding suitable for 80, 100, 120 mm and 3, 4, 5 inch panel thickness with a variety of metal covered core choices : polyurethane, PIR, polystyrene or mineral wool.
- Maximum size clear opening 2.400 x 2.600 mm (h).
- Short delivery time.
- Spare parts readily available.
- Freezer application with 3 sided electrical traced doorframe.



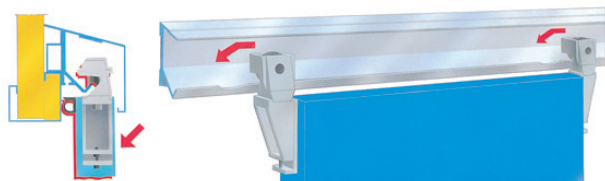


Impression pre-assembled components.

## Series MAK 400 Sliding door Assembly Kit

- Heavy duty door kit for intensive industrial applications, suitable for access to processing area's chiller-, and freezer storage facilities.
- Door blade surrounding fit to hold 80 and 120 mm sandwich panels with core either PU, PS, PIR or mineral wool.
- Aluminium alloy track suitable to carry doorblade weights up to 400 kgs.
- Maximum size for clear opening 4.000 x 4.500 mm.
- Short delivery time for standard door size range.
- Freezer application with 3 sided electrical traced doorframe.

The Metaflex railsystem is a combination of aluminium track and two hard wearing nylon rollers. Special indentations in the track allow the door to slide down and in at an angle of 45° utilising the weight of the door to give a perfect seal when closed.



The SDA-03: the intelligent heart of the automatic sliding door.

## Also Available

- Only track system with toprollers and bottom guiding system.
- Various options for meat conveyor passage.
- Insulated doorblade panels in coated steel and circle brushed stainless steel execution.
- Micro processor controlled electrical door automation set.
- Bi-parting sliding door kits.
- Complete assembled sliding doors.
- Full range of hinged, single and double leaf hinged door programme for temperature range +80/-50 °C.
- 90 minutes fire rated sliding door for chiller- and freezer rooms.
- All door products are **CE** marked.

Please contact us for detailed information and prices

**Metaflex Isosystems BV**  
P.o. box 300, 7120 AH Aalten  
Ambachtsstraat 11, 7122 MP Aalten  
The Netherlands

t +31 (0)543 - 477 333  
f +31 (0)543 - 477 222  
i www.metaflex.nl e sales@metaflex.nl

