

Maintenance

Beware! Do not use any water near the drive units and control box.
Warning! Switch the power supply off before carrying out any maintenance and/or other work on the Winglock/Twinglock

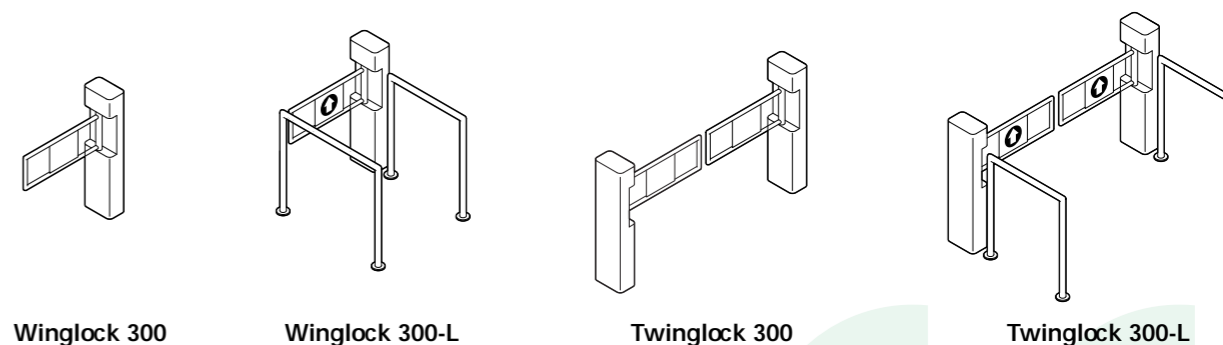
Weekly: Clean stainless steel and/or powder coated surfaces with a damp cloth.
Monthly: Clean stainless steel and/or powder coated surfaces with a damp cloth and soft soap.

Annually: The Winglock/ Twinglock should be serviced once a year. Always have this carried out by Boon Edam or the dealer. The same applies to repairs.

Instruction card

Winglock 300/300L

Twinglock 300/300L



Safety and operational instructions Maintenance

Key to symbols

| | | | |
|--|--|--|---|
| | Doorwing in closed position | | Token authorisation |
| | Doorwing opens / closes | | External control panel (desk) |
| | Doorwing can be opened manually / Fail-safe | | Person has passed detection area |
| | Doorwing cannot be opened manually / Fail-secure | | No access |
| | No power supply | | Authorised access |
| | Power supply | | Doorwing will lock electrically |
| | Battery power supply | | Doorwing will unlock electrically |
| | Pushbutton authorisation | | Doorwing will lock mechanically / Fail-secure |
| | Card or ticket reader authorisation | | Action after 4 seconds |

Dealer

For further information, please consult the operating manual.

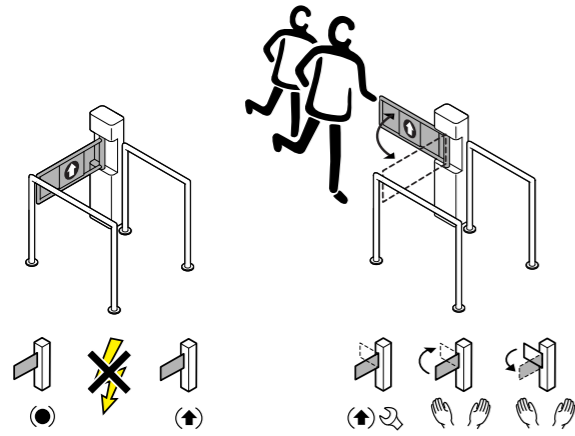


Test the emergency and safety devices every day and check that the Winglock/Twinglock is generally working properly!

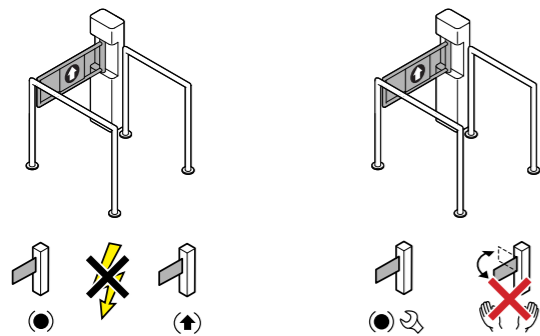
Safety and operational instructions

A Safety devices

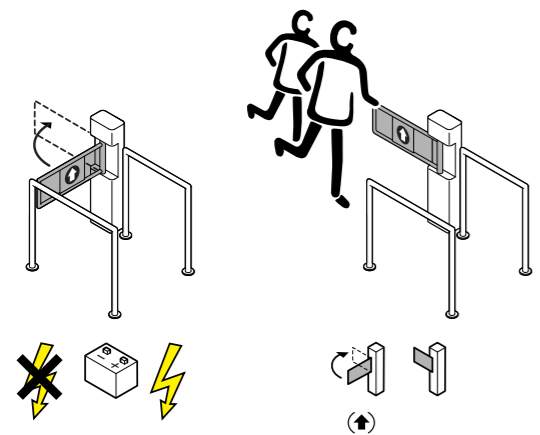
1 Fail-safe



2 Fail-secure

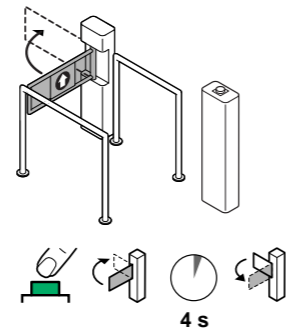


3 Anti-panic system

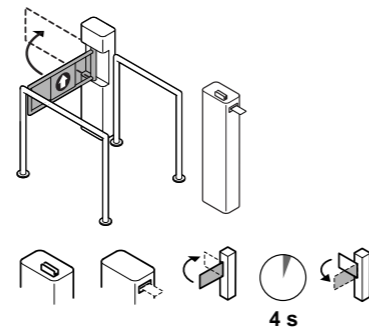


B Authorisation systems (optional)

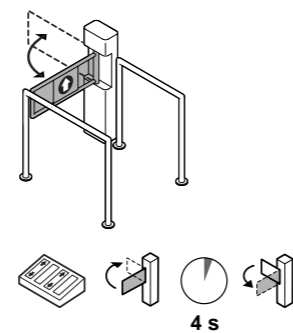
1 Pushbutton control panel on pedestal



2 Card or ticket reader system on pedestal

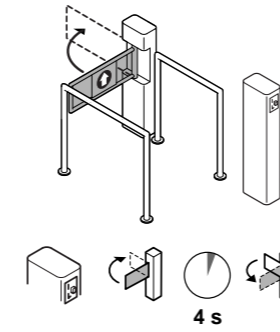


3 External control panel (desk)

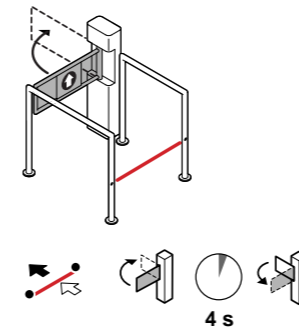


B Authorisation systems (optional)/ continued

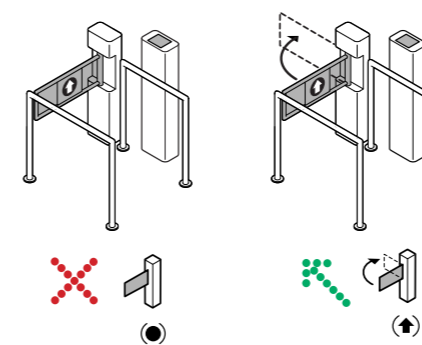
4 Token system on pedestal



5 Sensor detection (photocells on fence)

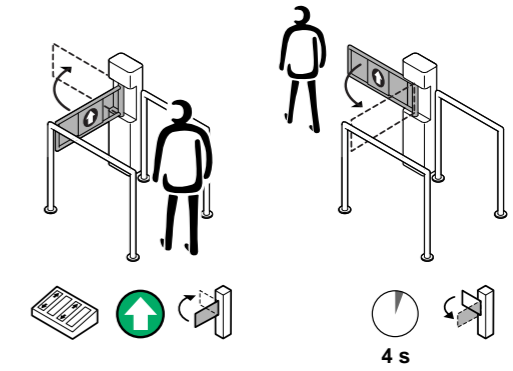


6 Indicator on pedestal



C Working principles

1 One authorised user allowed in (15 passages/min.)



2 One authorised user allowed in after authorisation or detection

